

V Series





V Series has something for everyone to feel good about.

V Series makes everyone happy, from the person who champions high-quality to the one who sees only the bottom line. That's because V Series features the same sturdy, all-metal, box-in-box construction that's used throughout X Series lateral files. But it's offered at a lower price, thanks to a pared-down statement of line. That combination of quality and savings makes sense for everyone.

Beige



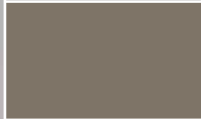
Charcoal



Graphite



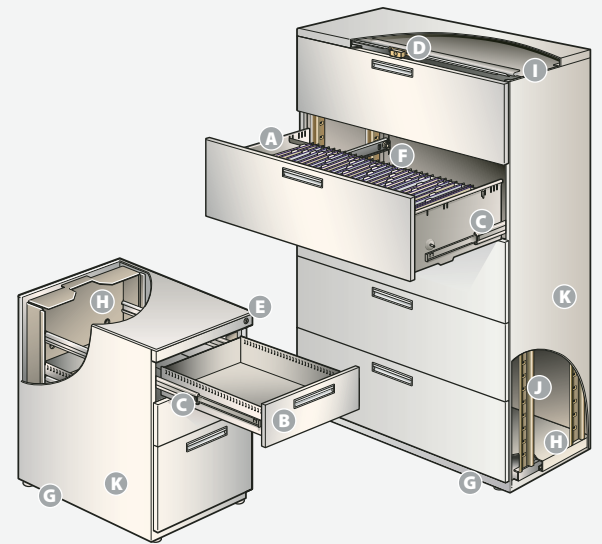
Gray tone



Putty



Smoke



The lateral files and pedestals that make up the V Series statement of line feature all the strength, security, and functional qualities usually found only in more expensive storage.

Function

- A Standard side-to-side hanging bars and optional front-to-back hanging rails ensure maximum filing capacity and accommodate customer preferences.
- B Double-walled drawer fronts on the pedestal keep small items from getting lost in cracks.
- C Every drawer, including pedestal box drawers, has full extension, steel ball-bearing slides enabling complete drawer access and smooth operation.

Security and safety

- D The rack-and-pinion lock mechanism ensures smooth, reliable operation.
- E The direct locking system engages the steel lock bar directly into the steel drawer body for optimum security.
- F For safety, the positive drawer interlock system allows only one drawer to be opened at a time.
- G Four adjustable floor glides provide 1½" of height adjustment, simplifying leveling on uneven surfaces.

Strength and durability

- H Two new technologies—patent-pending box-in-box construction used on the base of files and towers, and frame inserts used in the back of pedestals—promote durability and prevent racking.
- I Upper support is provided by an inner top constructed of one-piece formed steel.
- J The file's vertical support channel features a common rail and heavy gauge steel, providing additional structural support and strength.
- K The wear-resistant paint finish consists of a baked enamel coating applied over a rust-inhibiting treatment.

Pedestals 18", 24" or 30"D (Mobile, attached or suspended)



Lateral files 30", 36" or 42"W x 18"D

5-High



4-High



3-High



2-High



www.haworth.com

HAWORTH®

Haworth, Inc. One Haworth Center Holland, MI 49423-9576 USA
For more information, call 800.344.2600 or 616.393.3000 Haworth is a registered trademark of Haworth, Inc.
Printed in USA ©Haworth, Inc. 2004 11.04 Item #0145